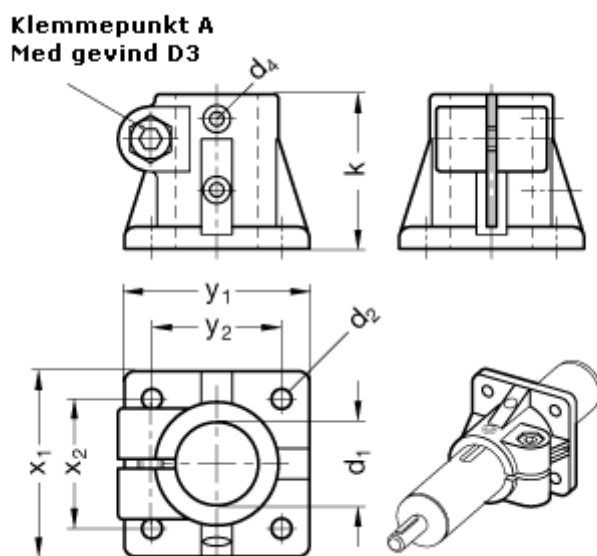


Article number: 201631G502SW

Description: E+G Flanged linear actuator
GN163.1-G50-2-SW

Measures



d1 = G50	y2 = 74
d2 = 11	
d3 = M10	
d4 = M 6	
k = 85	
x1 = 105	
x2 = 74	
y1 = 105	